



# Ranger<sup>®</sup> 1000

Compact Bench Scales



## ***Reliability, Portability and Accuracy in One Affordable Package!***

Ranger 1000 offers OHAUS' signature durability and precision in a simple, cost-effective compact bench scale ideal for light to medium industrial weighing applications. When simple and reliable weighing operation is what your job requires, you can depend on the Ranger 1000.

### ***Standard Features Include:***

- **The 15,000 Displayed Resolution Ensures Accuracy of Results** — All Ranger 1000 models have a 15,000 displayed resolution, which propels weighing performance and ensures results are dependable every time.
- **The Sturdy Stainless Steel Platform Provides Support for Tough Benchtap Weighing** — The durably constructed Ranger 1000 has a stainless steel platform and ABS housing that provides sturdy support for the materials being weighed.
- **Rechargeable Battery and Automatic Shut-Off Ensure Long-Lasting Operation** — A rechargeable battery powers the scale for 80 hours on one charge while the automatic shut-off feature works to preserve battery life.

# Ranger® 1000 Compact Bench Scales

Model	R11P3	R11P6	R11P15	R11P30
Capacity × Readability	3 kg × 0.0002 kg 3,000 g × 0.2 g 6 lb × 0.0005 lb 96 oz × 0.01 oz	6 kg × 0.0005 kg 6,000 g × 0.5 g 15 lb × 0.001 lb 240 oz × 0.02 oz	15 kg × 0.001 kg 15,000 g × 1 g 30 lb × 0.002 lb 480 oz × 0.05 oz	30 kg × 0.002 kg 30,000 g × 2 g 60 lb × 0.005 lb 960 oz × 0.1 oz
Displayed Resolution	1:15,000	1:15,000	1:15,000	1:15,000
Construction	Plastic pan with Stainless steel inset, ABS plastic housing			
Weighing Units	kg, g, lb, oz			
Application Modes	Weighing, Accumulation			
Display	1-window backlit LCD display, 1-inch / 25.4 mm high, 6-digit, 7-segment			
Keypad	4 mechanical keys			
Zero Range	4% of full scale capacity			
Tare Range	Full capacity by subtraction			
Stabilization Time	≤ 2 seconds			
Safe Overload Capacity	150% of capacity			
Power	AC Adapter 12V DC / 1000mA Internal rechargeable sealed lead acid battery			
Battery Life	80 hours continuous use with 12 hour recharge time			
Calibration	External with kg/g mass, factory calibration recovery			
Operating Temperature Range	32°F to 104°F / 0° to 40°C			
Pan Size (W × L)	294 × 226 mm / 11.6 × 8.9in			
Scale Dimensions (W × L × H)	325 × 330.5 × 114 mm / 12.8 × 13 × 4.5 in			
Shipping Dimensions (W × L × H)	440 × 360 × 160 mm / 17.3 × 14.2 × 6.3 in			
Net Weight	4.2 kg / 9.3 lb			
Shipping Weight	5.3 kg / 11.7 lb			
Other Features	Auto-zero tracking, filtering level			

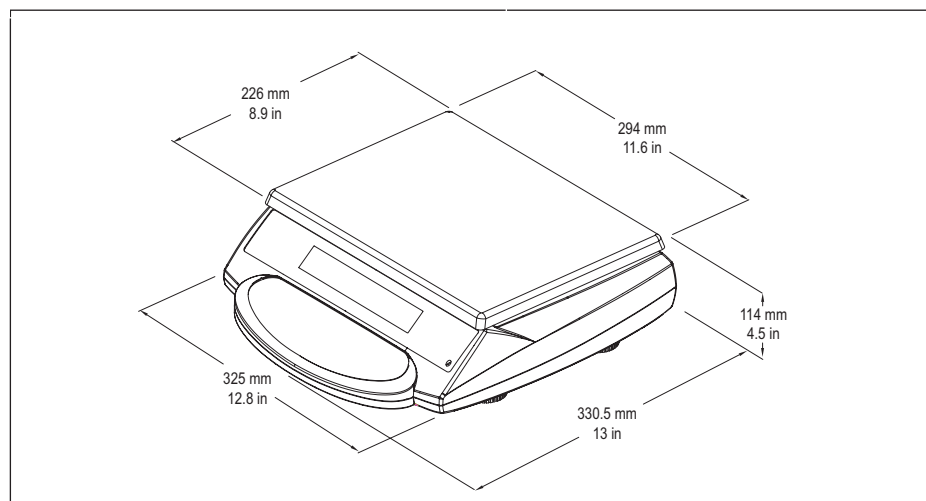
## Approvals

• Electrical/Emissions: Meets requirements of approval agencies: UL (adapter), FCC, CE Safety EN61558, EMC EN61326

## Accessory

SST Pan, R11,RC11,A31 ..... 80120009

## Outline Dimensional Drawings



## OHAUS CORPORATION

\* 7 Campus Drive  
Suite 310  
Parsippany, NJ 07054 USA

Tel: 800.672.7722  
973.377.9000  
Fax: 973.944.7177

[www.ohaus.com](http://www.ohaus.com)

With offices throughout  
Europe, Asia, and  
Latin America

\*ISO 9001:2008  
Registered Quality  
Management System

